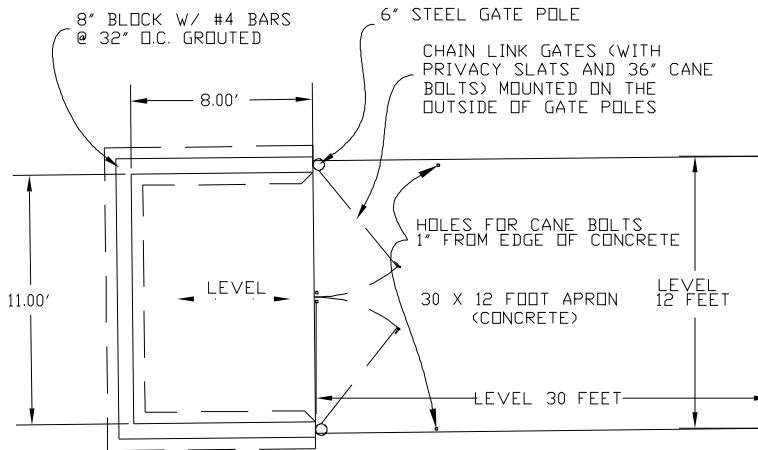
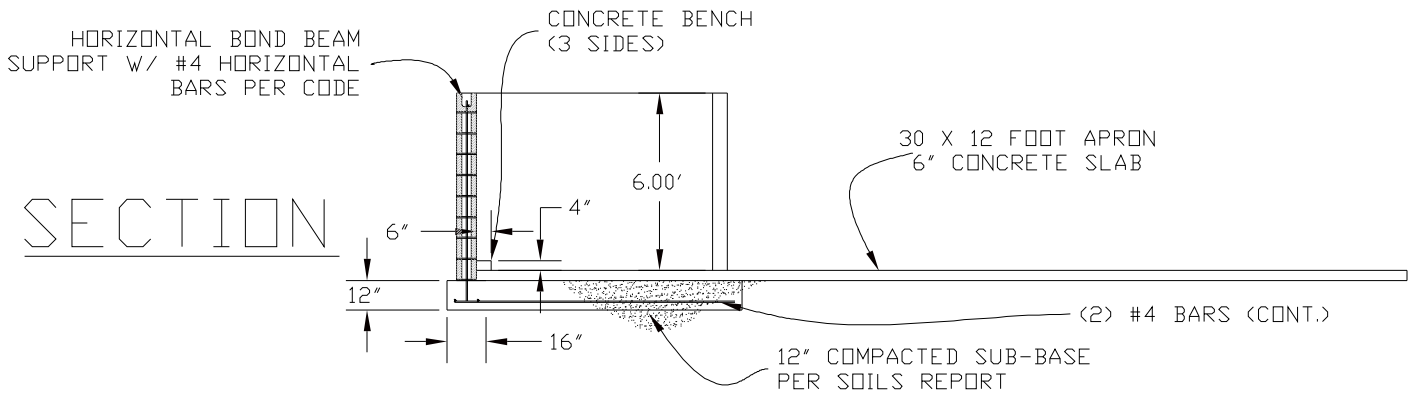


Virgin Valley Disposal

PLAN

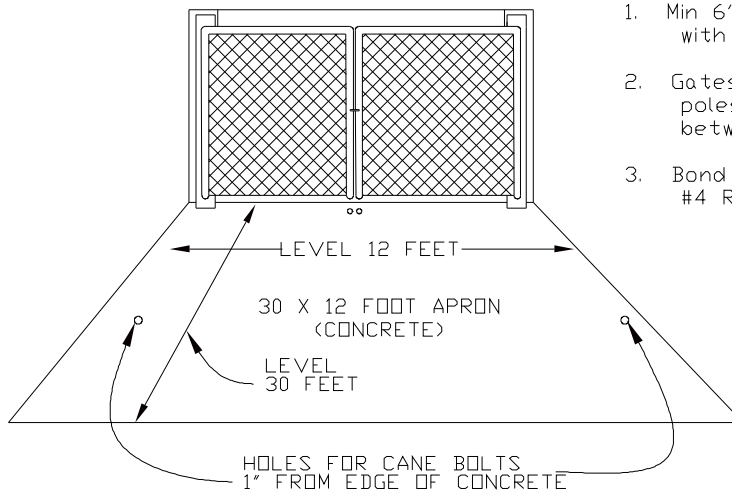


SECTION



Chain Link Fence with Privacy Slats Between Links.

VIEW



1. Min 6' Block or 6' High Concrete Wall with #4 Re-bar at 32" o.c. grouted
2. Gates must be mounted on outside of poles, with chain link and privacy slats between links.
3. Bond beam (Horizontal support) with #4 Re-bar Per Code.

Revisions:

1
2
3
4
5
6

Sheet Title:

Trash Enclosure (Standard)
City of Mesquite Standard

Date:

April 1, 2002

Scale:

N.T.S.

Drawing No. 102A

Drawn by: TEC Engineering, Inc., P.O. Box 3630, Mesquite, Nv (702)346-2280 Fax (702)346-1582