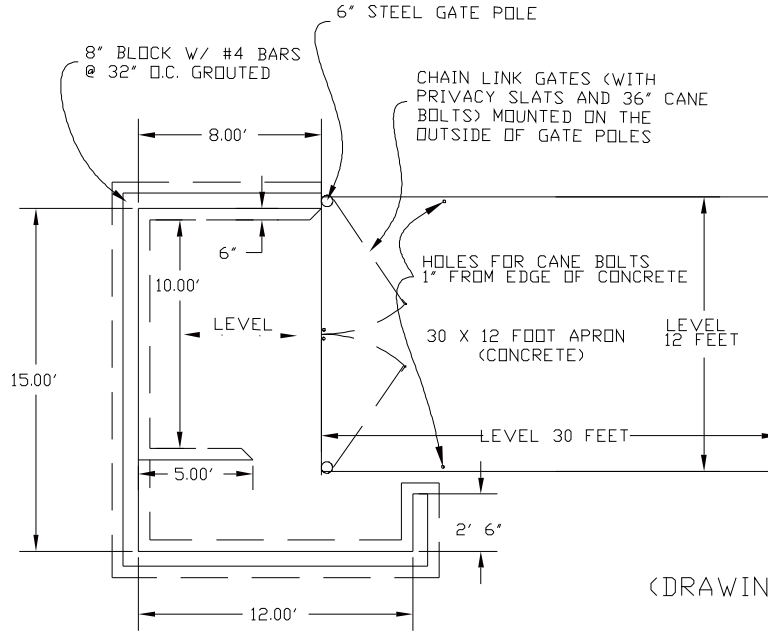


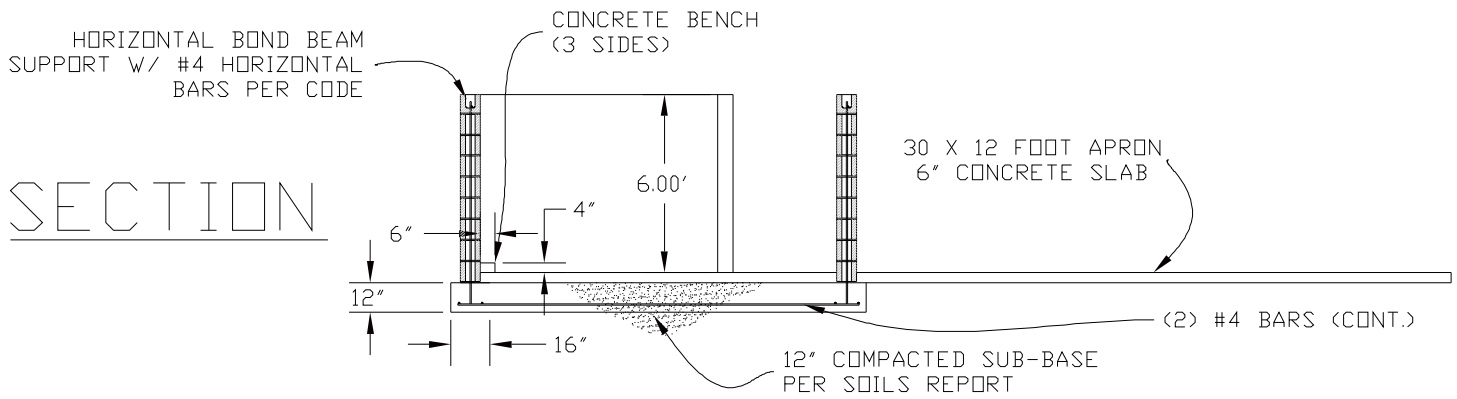
Virgin Valley Disposal

PLAN



(DRAWING NOT TO SCALE)

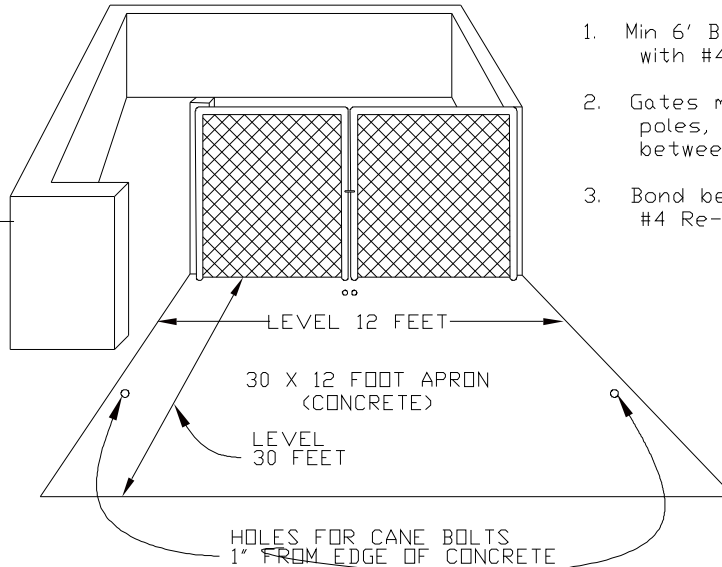
SECTION



Chain Link Fence with Privacy Slats Between Links.

1. Min 6' Block or 6' High Concrete Wall with #4 Re-bar at 32" o.c. grouted
2. Gates must be mounted on outside of poles, with chain link and privacy slats between links.
3. Bond beam (Horizontal support) with #4 Re-bar Per Code.

VIEW



Revisions:	Sheet Title:	Date:
1	Trash Enclosure (Side Entry)	April 1, 2002
2	City of Mesquite Standard	Scale:
3		N.T.S.
4		Drawing No. 102B
5		
6	Drawn by: TEC Engineering, Inc., P.O. Box 3630, Mesquite, Nv (702)346-2280 Fax (702)346-1582	